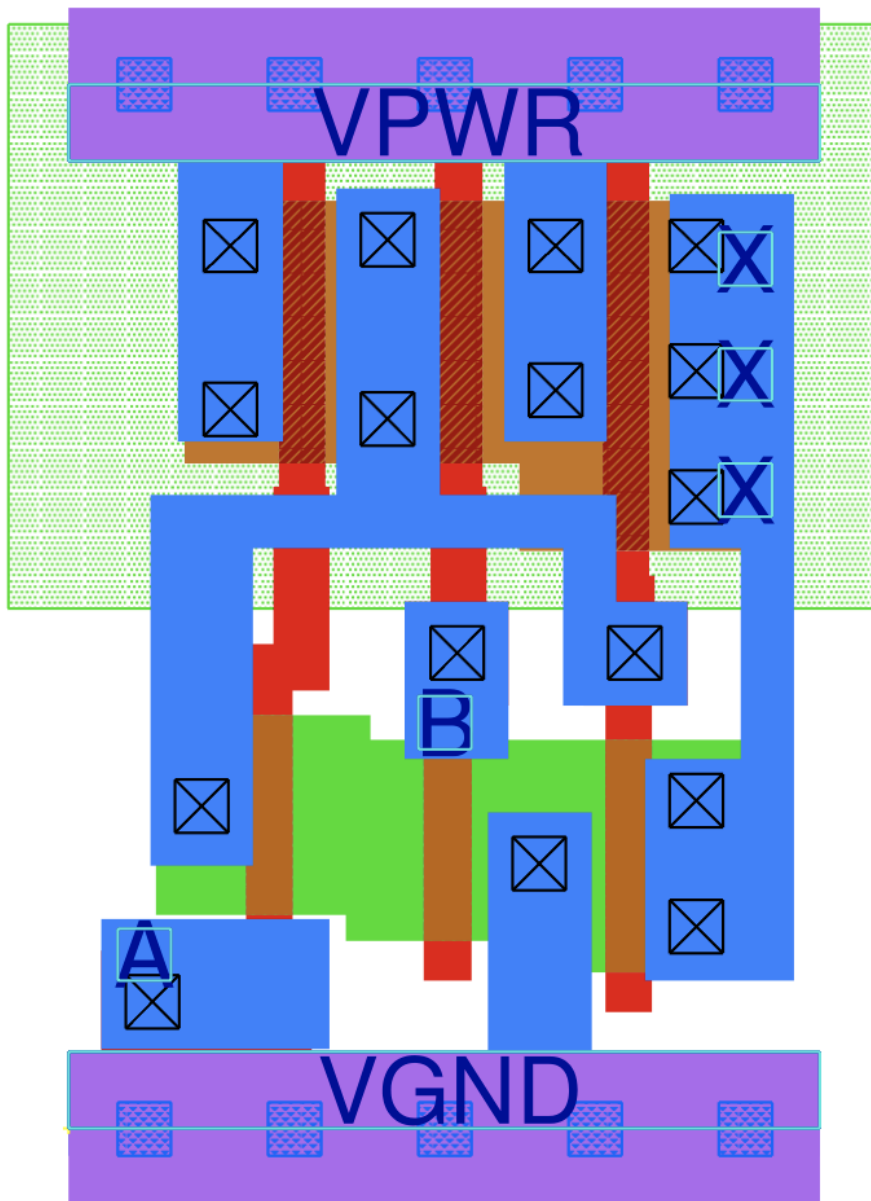


EECS 151/251A Discussion 4

Friday 23rd February, 2024

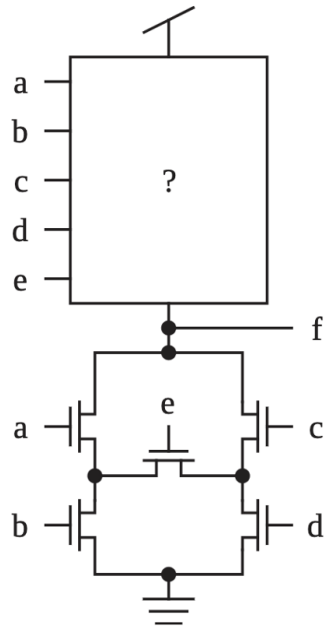
Problem 1. Circuit Layout

Draw the corresponding transistor diagram for the circuit layout.



Problem 2. Transistor Circuit to Equation

Complete the following CMOS schematic with inputs a, b, c, d, e and output f . Also, write a Boolean expression of the output f .



Problem 1. Equation to Transistor Circuit

1. Write a CMOS diagram for $f = a'b' + b'c' + c'a'$