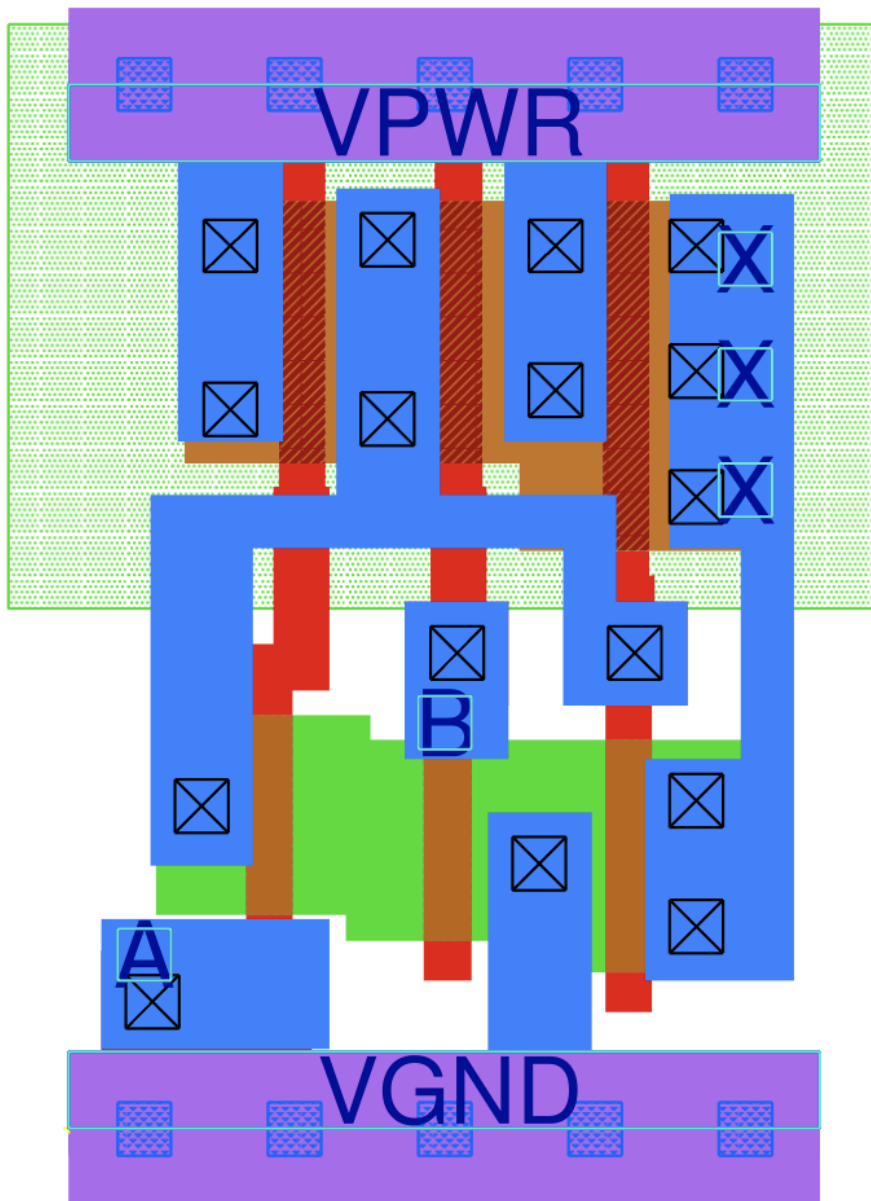


# EECS 151/251A Discussion 4

Friday 23<sup>rd</sup> February, 2024

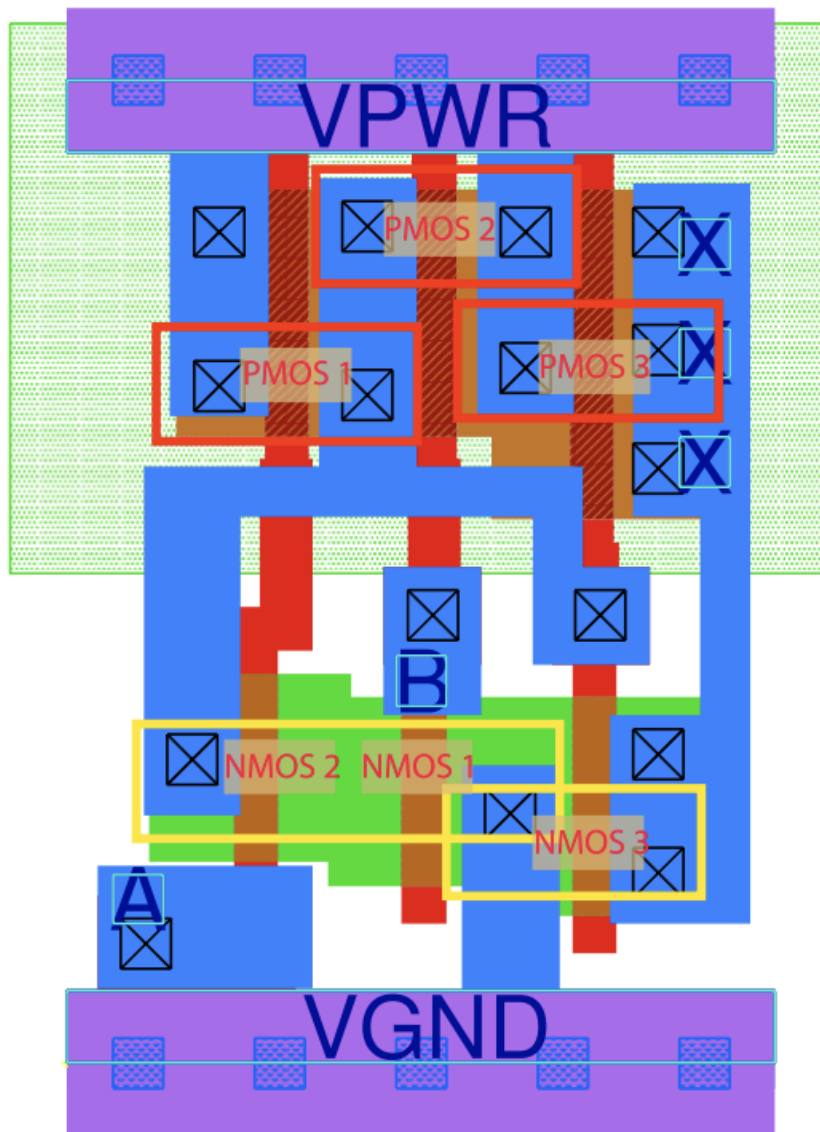
## Problem 1. Circuit Layout

Draw the corresponding transistor diagram for the circuit layout.

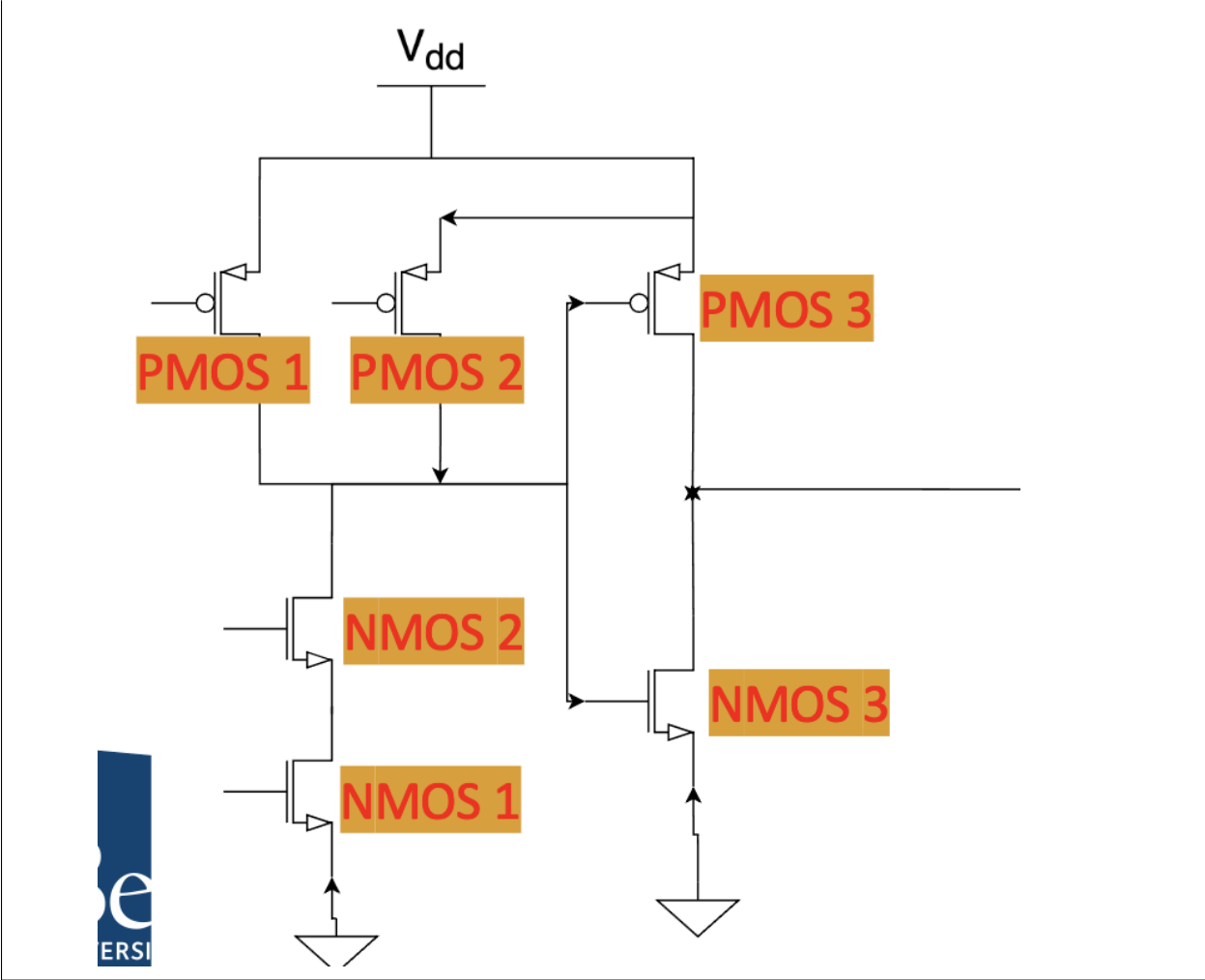


Solution:

1. Circling the transistors:



2. Converting to the circuit:

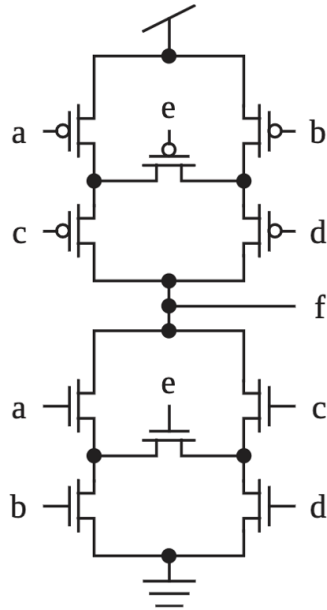




Function:

$$f = (ab + cd + aed + bce)'$$

(1)



## Problem 1. Equation to Transistor Circuit

1. Write a CMOS diagram for  $f = a'b' + b'c' + c'a'$

Solution:

Function:

$$f' = (a + b)(b + c)(c + a) = ab + bc + ca = a(b + c) + bc \quad (2)$$

Schematic:

